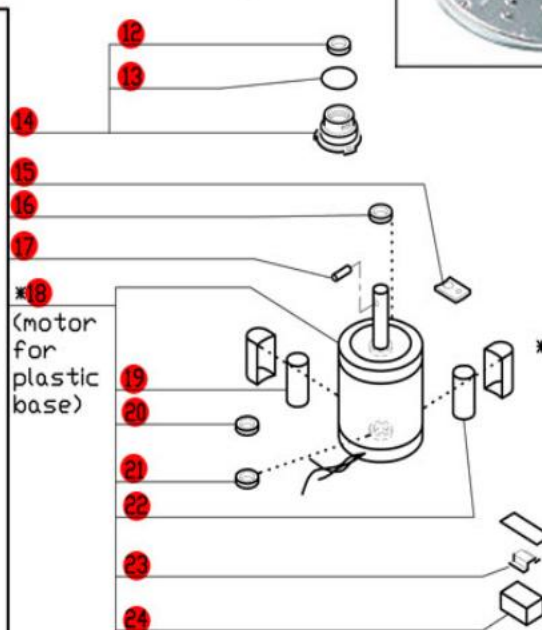
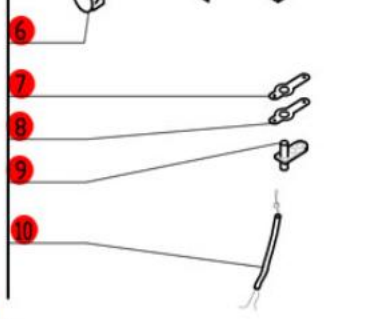
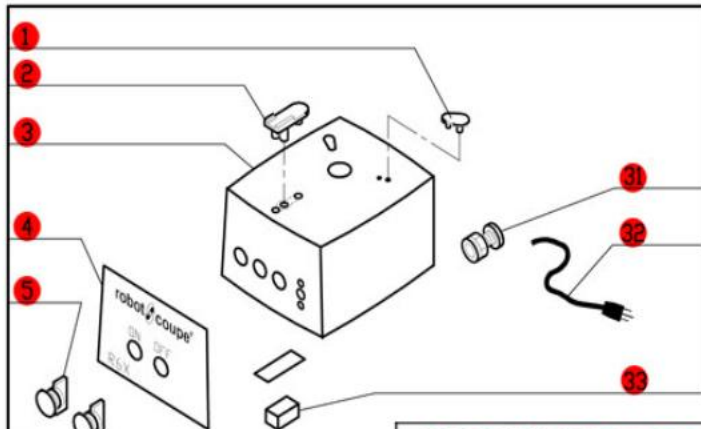
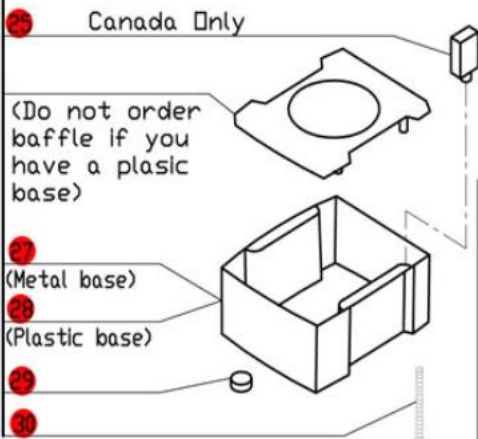
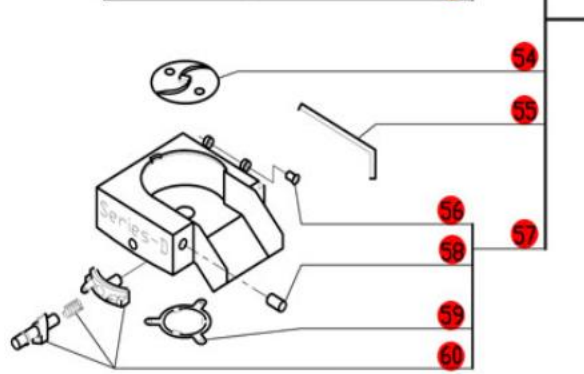
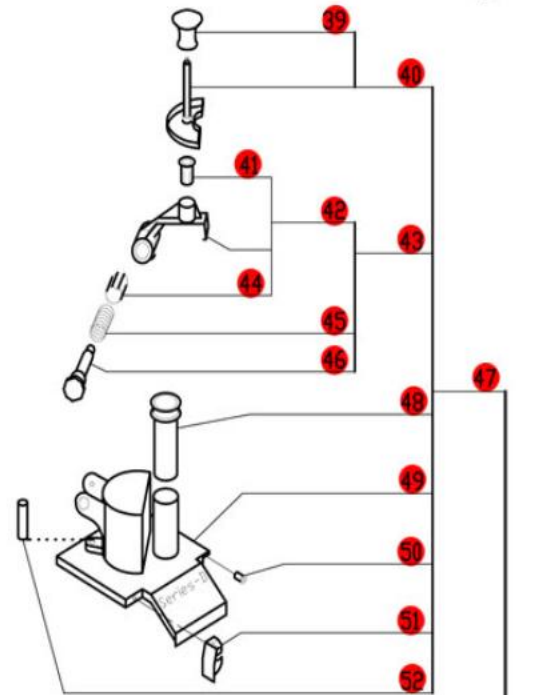
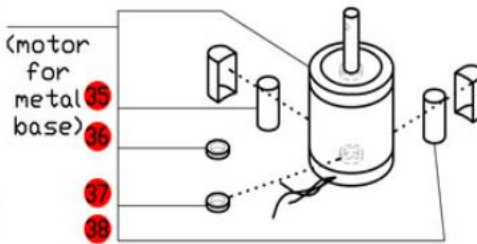


R6X Series D

Series D, Serial Numbers 237xxxxx03
 1- Speed, 120 Volt, 1 Phase, 60Hz., 2.5 HP.
 850 RPM, 7.6 Amps
 Use Series-D Plates.

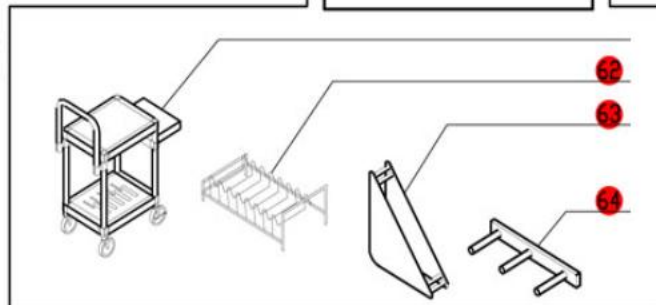


* RA604E Motor is no longer available. Order number SI94565, R611, 117770, 29620, and four BX658 screws.



ACCESSORIES

Use only cutting plates listed in the "Series D" Chart.



**Click on Red Dot
 OR
 Call us
 800-465-6060**